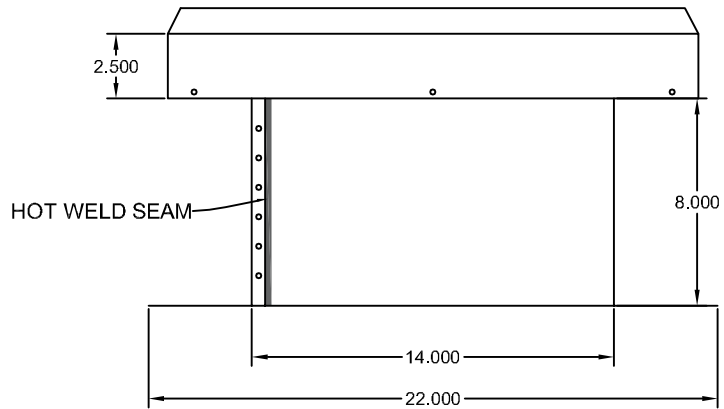
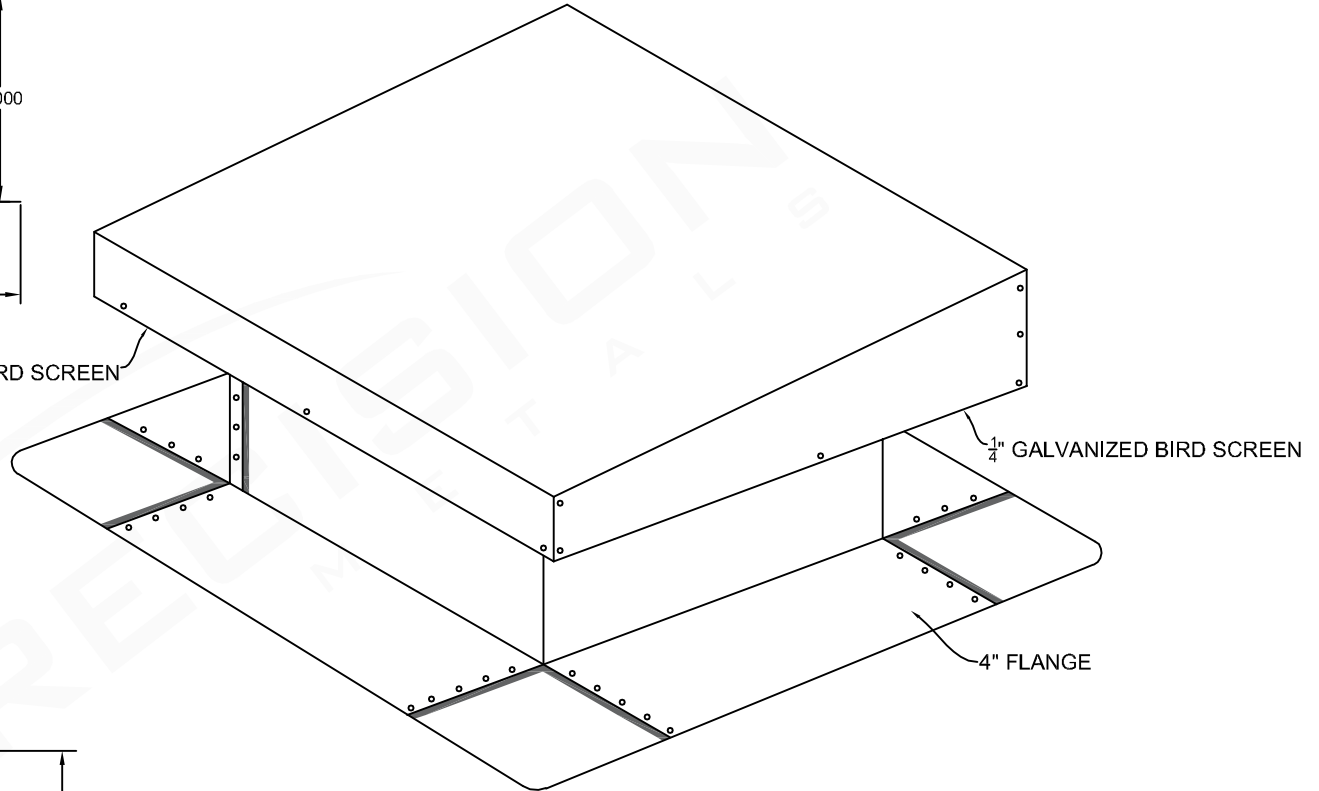


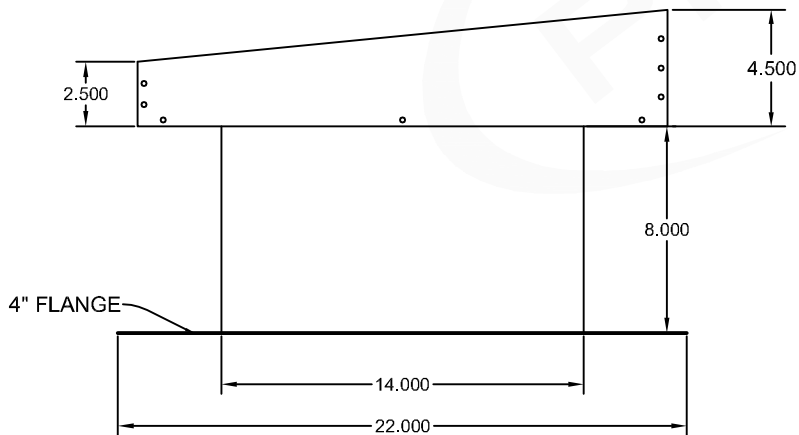
FRONT VIEW



ORTHOGRAPHIC VIEW



SIDE VIEW



**MATERIAL**

GALVANIZED (G90) 26 GA STEEL - ASTM A653

**SIZING CHART**

| SIZE    | CODE     | PALLET QTY |
|---------|----------|------------|
| 14"X14" | GA1414FT | 16 PCS     |



**PART NAME:**

**14"X14" FLAT TOP B.U.R. VENT**

**DRAWN BY:** P.B

**DATE:** 04/13/2021

**SCALE:** NTS

**SHEET:**