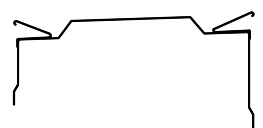


NOTES:



- ① ANCHOR CLIP PROFILE ON WALLS 14" AND GREATER.
- ② FACE = COVERAGE (SHOULD EXTEND A MIN. OF 1" BELOW WATERPROOFING MEMBRANE) + 1 ½".
- ③ 24 GA. GALV. AND .040" ALUM. COPING COVERS AVAILABLE FOR WALL SIZES 3½" TO 24" ONLY.
- ④ WELDED ACCESSORIES REQUIRE A MINIMUM MATERIAL THICKNESS OF .050".
- ⑤ FOR NON 90° MITERS PLEASE USE PRINT APPROVAL #11011-1487.

MATERIAL:

___ 24 GA. GALVANIZED STEEL ③

___ 22 GA. GALVANIZED STEEL

___ .040" ALUMINUM ③

___ .050" ALUMINUM

___ .063" ALUMINUM

___ OTHER _____

COLOR: _____

FINISH: _____

QUANTITIES:

_____ LINEAL FEET 12'-0" LENGTHS

ACCESSORIES:

___ OUTSIDE MITERS @ 90° ⑤

___ INSIDE MITERS @ 90° ⑤

___ RIGHT ENDCAPS

___ LEFT ENDCAPS

ENDWALL FLASHING (SPlice PLATE VERSION)

RIGHT HAND _____ LEFT HAND _____

ENDWALL FLASHING (COPING VERSION)

RIGHT HAND _____ LEFT HAND _____

SPECIFY ACCESSORY TYPE:


WELDED ④

QUICKLOCK

AUTHORIZED SIGNATURE:

APPROVED BY: _____

DATE: _____



PROJECT: _____

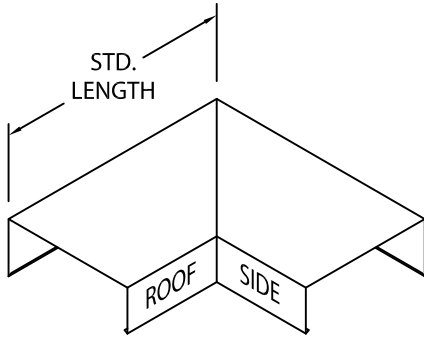
ARCHITECT: _____

ROOFING CONTRACTOR: _____

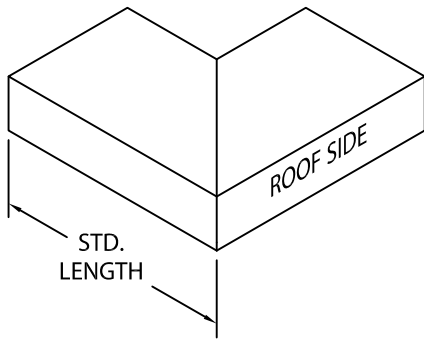
REPRESENTATIVE/DISTRIBUTOR: _____

PERMA-TITE FLUSH FACE COPING

PERMA-TITE COPING STANDARD ACCESSORIES

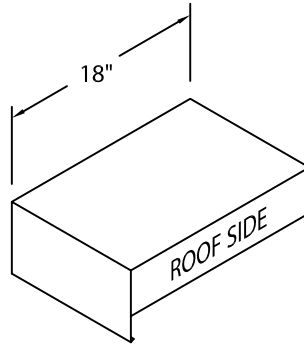


OUTSIDE MITER

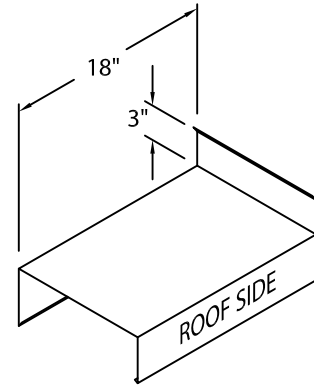


INSIDE MITER

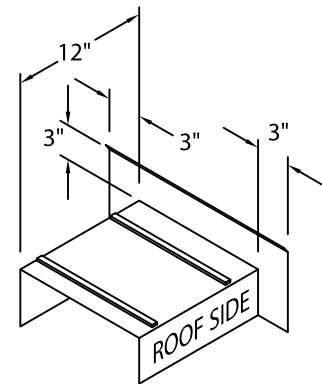
MITER STANDARD LEG LENGTH:
WALL SIZE + 9⁵/₈" = LENGTH



ENDCAP
(LEFT HAND SHOWN)



ENDWALL FLASHING
COPING VERSION
(RIGHT HAND SHOWN)



ENDWALL FLASHING
SPLICE PLATE VERSION
(RIGHT HAND SHOWN)
(AVAILABLE ONLY IN
.040" WELDED, PAINTED
TO MATCH COPING)

ADDITIONAL ACCESSORIES ARE AVAILABLE ON WEBSITE:

- TRANSITION MITERS
- STRAIGHT TRANSITION MITERS
- "T" MITERS
- "Z" MITERS
- STEP-UP MITERS
- PEAK / VALLEY MITERS
- PILASTER CAPS
- RADIUS COPING
- ARCHED COPING

(FOR ADDITIONAL ACCESSORY REQUIREMENTS, ATTACH SKETCHES OR CALL MANUFACTURER FOR ASSISTANCE).