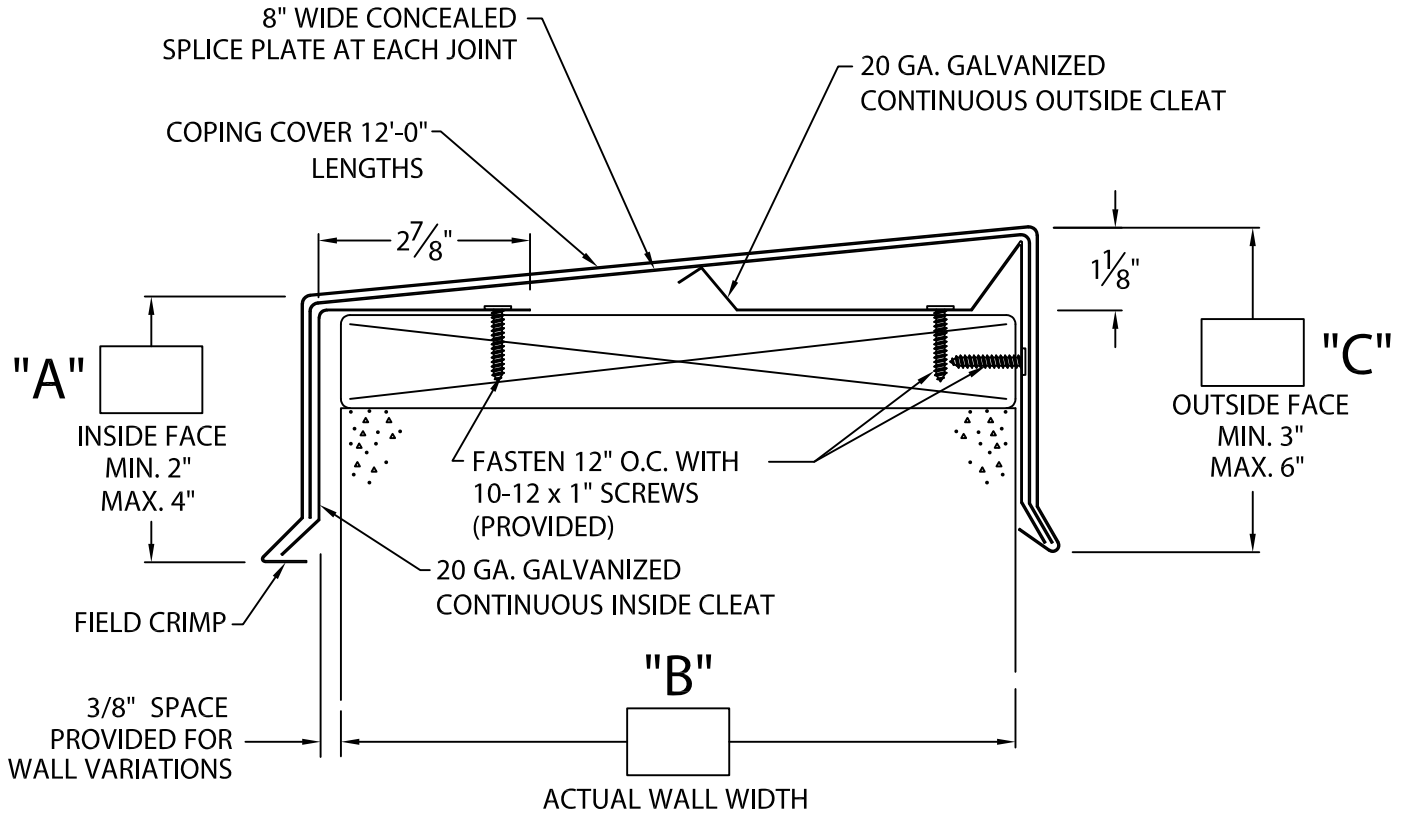




PERMA-TITE CONTINUOUS CLEAT COPING

TAPERED VERSION

ANSI/SPRI ES-1 TESTED



-- CONCEALED SPLICE PLATES ARE PROVIDED WITH FACTORY APPLIED NON-CURING SEALANT STRIPS.

-- ACTUAL COPING WIDTH (IN TO IN) IS ACTUAL WALL WIDTH PLUS $\frac{5}{8}$ ".

-- UNLESS OTHERWISE NOTED, FABRICATION OF MITERS AND ACCESSORIES ARE FURNISHED STANDARD UTILIZING A NON-PENETRATING QUICKLOCK JOINT, THEN FACTORY SEALED WATERTIGHT.

-- WOOD NAILER REQUIRED FOR FM APPROVAL OR ANSI/SPRI / ES-1 RATING.

Fabrication will proceed only after receipt of signed print approval.

Print Approval:

Architect and/or contractor shall verify all dimensions, sizes and quantities. All products to be installed in strict accordance with Metal-Era's printed instructions.

Approved by: _____

Date: _____

-- WELDED MITERS AND ACCESSORIES

CHECK ONE REQUIRED (SURCHARGE) NOT APPLICABLE

MATERIAL:

24 GA. GALVANIZED STEEL COLOR: _____
 22 GA. GALVANIZED STEEL
 .040" ALUMINUM
 .050" ALUMINUM FINISH: _____
 .063" ALUMINUM
 OTHER _____

QUANTITIES:

_____ LINEAL FEET 12'-0" LENGTHS
 _____ OUTSIDE MITER(S) @ 90°
 _____ INSIDE MITER(S) @ 90°
 _____ RIGHT ENDCAPS
 _____ LEFT ENDCAPS

FOR NON-90° MITERS SEE PRINT APPROVAL #11011-1487

PROJECT:

ARCHITECT:

ROOFING CONTRACTOR:

REPRESENTATIVE/DISTRIBUTOR:

Corporate Offices, Manufacturing
 1600 Airport Road; Waukesha, WI 53188
 Phone: 800-558-2162
 Fax: 800-373-9156
 www.metalera.com



DATE: 07/09/19

DRN BY: JJC

CKD BY: JAI

SHT.# ____ OF ____

DWG# 11011-14784

E