

## OVERVIEW & FEATURES

R-Mer Shield is Garland's newest generation of industry-leading, high-performance, structural standing seam roof systems. R-Mer Shield consists of a 2-1/16" high vertical seam with an extruded aluminum clip and top rail system that helps provide unrivaled wind uplift performance. R-Mer Shield also provides unlimited thermal expansion and contraction, isolation of the seam sealant from the clip, symmetric panel design, and includes mesas and pencil lines to help reduce the risks of oil canning. R-Mer Shield is available in steel, aluminum, zinc, copper and stainless steel.

## WIDTHS

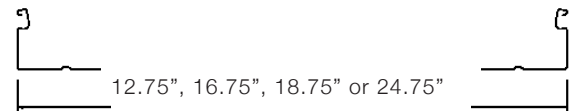
- 12.75", 16.75", 18.75" or 24.75"

## MATERIALS

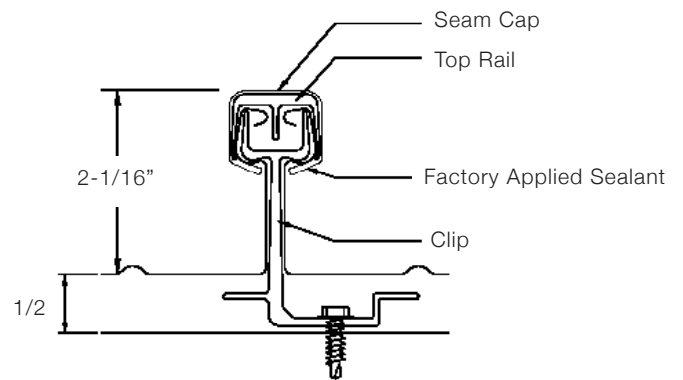
- 24, 22, and 20 gauge G-90 Galvanized steel
- .040", and .050" Aluminum
- .7mm, .8mm, and 1.0mm Zinc
- 24\*, 22, and 20 gauge Stainless Steel
- 16 oz. and 20 oz. Copper

**NOTE:** 0.032" aluminum and the 24-gauge steel is not available in the 25" width

## PANEL PROFILE



## SEAM DETAIL & ASSEMBLY



# R-Mer Shield

## DESIGN CHARACTERISTICS

- Heavy duty one-piece clip design provides for unlimited thermal movement
- Symmetrically designed panel/cap configuration contains four (4) layers of steel
- Factory applied hot melt sealant (water barrier) is completely isolated from clip
- 2 -1/16" High vertical seam
- Profile contains mesas or striations to minimize appearance of oil canning
- Spanning capability over open purlins on slopes down to 1/4:12
- 1/2" high clearance between panel and substrate helps ventilation and reduces possibility of condensation
- Ideal for retrofits over existing single plies, BUR's, modified bitumens or other metal roofs
- Continuous top rail option can be used to provide enhanced wind uplift resistance
- 30-year warranty available
- Available in factory shippable lengths only; field roll forming not currently available
- Curved or tapered panel options not currently available

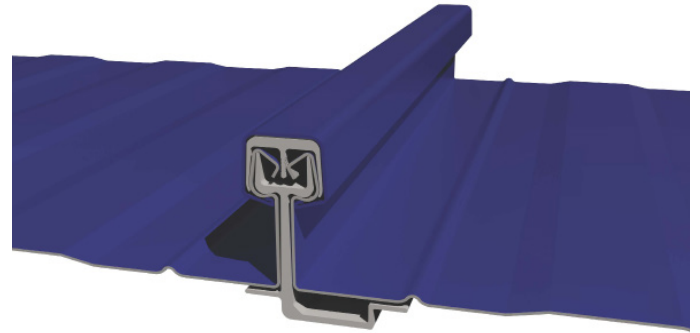
## TEST CLASSIFICATIONS

- Roof system compliance with ASTM E 1592
- Air infiltration test in accordance with ASTM E 1680
- Water penetration test in accordance with ASTM E 1646

## COLORS

Please contact your local Garland Representative for the available colors including those that are ENERGY STAR® and CRRC® qualified.

For specific application recommendations and coverage, please contact your local Garland Representative or Garland Technical Service Department.



\*based on qualified colors



\*based on qualified colors  
Valid in the U.S. only

For more information, visit us at: [www.garlandco.com](http://www.garlandco.com)

**The Garland Company, Inc.**  
3800 East 91st Street  
Cleveland, OH 44105  
FAX: 216-641-0633  
Phone: 216-641-7500  
Toll Free: 800-321-9336

**Garland Canada Inc.**  
209 Carrier Drive  
Toronto, Ontario  
Canada, M9W 5Y8  
FAX: 416-747-1980  
Phone: 416-747-7995  
Toll Free: 800-387-5991  
(Only in Canada)

**The Garland Company UK, LTD**  
Second Way Centre, Second Way  
Avonmouth, Bristol UK BS11 8DF  
Phone: 011 44 1174 401050 (Outside UK)  
Toll Free: 0800 328 5560 (Only in UK)

Tests verified by independent laboratories. Actual roof performance specifications will vary depending on test speed and temperature. Data reflects samples randomly collected. A ± 10% variation may be experienced. The above data supersedes all previously published information. Consult your local Garland Representative or Garland Corporate Office for more information.

R-Mer and Garland Greenhouse are trademarks of The Garland Company, Inc. and Garland Canada Inc.  
ENERGY STAR is a registered trademark of the U.S. government. The ENERGY STAR program represents a voluntary partnership between businesses and organizations and the federal government to promote energy efficiency and environmental activities (Valid in the U.S. only). LEED is a registered trademark of the U.S. Green Building Council

© 2017 Garland Industries, Inc.

RMS 1019