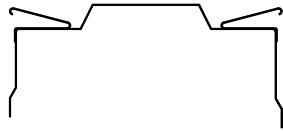


NOTES:

- ① ANCHOR CLIP PROFILE ON WALLS 14" AND GREATER.
- ② FACE = COVERAGE (SHOULD EXTEND A MIN. OF 1" BELOW WATERPROOFING MEMBRANE) + 1 1/2".
- ③ 24 GA. GALV. AND .040" ALUM. COPING COVERS AVAILABLE FOR WALL SIZES 3 1/2" TO 24" ONLY.
- ④ WELDED ACCESSORIES REQUIRE A MINIMUM MATERIAL THICKNESS OF .050".
- ⑤ FOR NON 90° MITERS PLEASE USE PRINT APPROVAL #11011-1487.



MATERIAL:

- ___ 24 GA. GALVANIZED STEEL ③
 - ___ 22 GA. GALVANIZED STEEL
 - ___ .040" ALUMINUM ③
 - ___ .050" ALUMINUM
 - ___ .063" ALUMINUM
 - ___ OTHER _____
- COLOR: _____
- FINISH: _____

QUANTITIES:

_____ LINEAL FEET 12'-0" LENGTHS

ACCESSORIES:

- ___ OUTSIDE MITERS @ 90° ⑤
 - ___ INSIDE MITERS @ 90° ⑤
 - ___ RIGHT ENDCAPS
 - ___ LEFT ENDCAPS
- SPECIFY ACCESSORY TYPE:
- WELDED ④
 - QUICKLOCK

AUTHORIZED SIGNATURE:

APPROVED BY: _____

DATE: _____



ENDWALL FLASHING (SPLICE PLATE VERSION)

RIGHT HAND _____ LEFT HAND _____

ENDWALL FLASHING (COPING VERSION)

RIGHT HAND _____ LEFT HAND _____

PROJECT:

ARCHITECT:

ROOFING CONTRACTOR:

REPRESENTATIVE/DISTRIBUTOR:

CORPORATE OFFICES, MANUFACTURING
1600 AIRPORT ROAD; WAUKESHA, WI 53188

PHONE: 800-558-2162
FAX: 800-373-9156

WEBSITE: WWW.METALERA.COM
EMAIL: QUOTE@METALERA.COM

DATE: 03/05/19

DRN BY: ZS

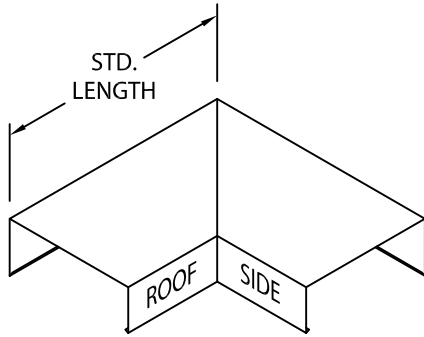
CKD BY: SAK

SHT.# ____ OF ____

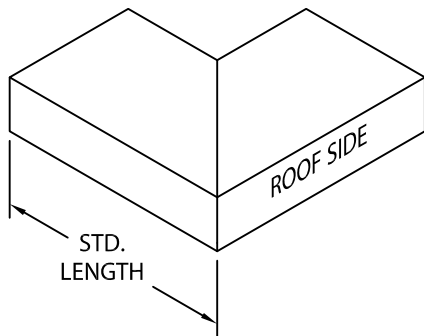
DWG# 11011-26449

B

PERMA-TITE FLUSH FACE COPING



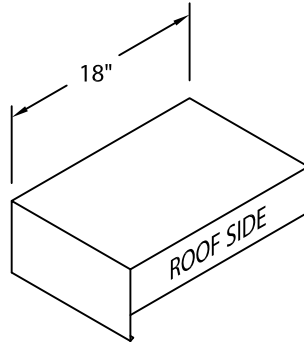
OUTSIDE MITER



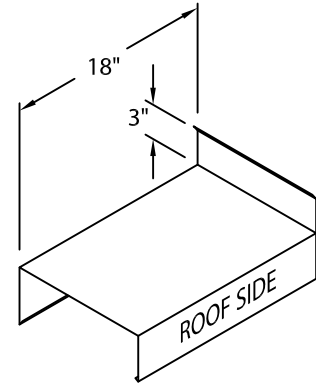
INSIDE MITER

MITER STANDARD LEG LENGTH:
WALL SIZE + $9\frac{5}{8}$ " = LENGTH

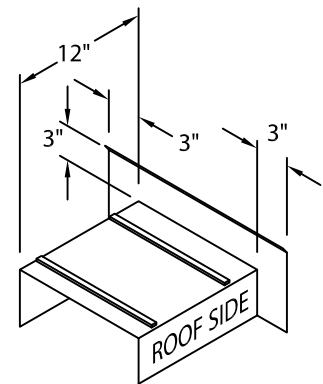
PERMA-TITE COPING STANDARD ACCESSORIES



ENDCAP
(LEFT HAND SHOWN)



ENDWALL FLASHING
COPING VERSION
(RIGHT HAND SHOWN)



ENDWALL FLASHING
SPLICE PLATE VERSION
(RIGHT HAND SHOWN)
(AVAILABLE ONLY IN
.040" WELDED, PAINTED
TO MATCH COPING)

ADDITIONAL ACCESSORIES ARE AVAILABLE ON WEBSITE:

- TRANSITION MITERS
- STRAIGHT TRANSITION MITERS
- "T" MITERS
- "Z" MITERS
- STEP-UP MITERS
- PEAK / VALLEY MITERS
- PILASTER CAPS
- RADIUS COPING
- ARCHED COPING

(FOR ADDITIONAL ACCESSORY REQUIREMENTS, ATTACH SKETCHES OR CALL MANUFACTURER FOR ASSISTANCE).