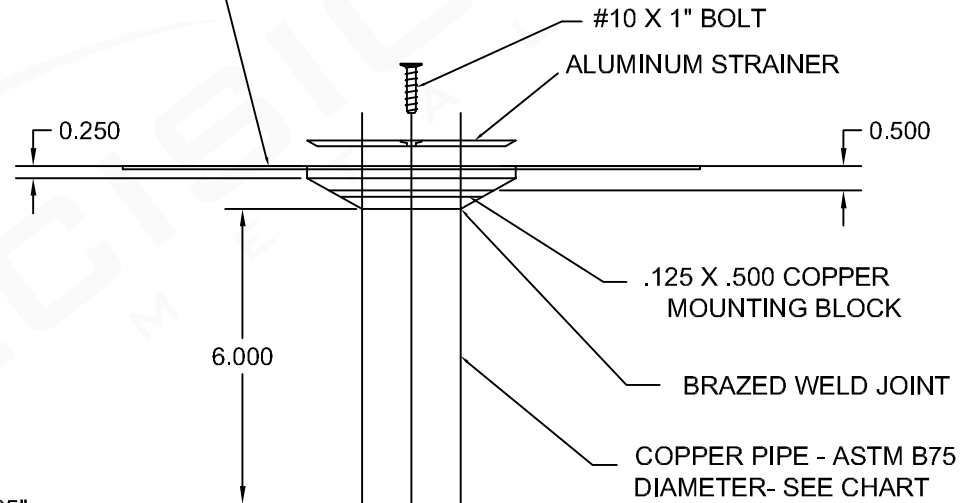
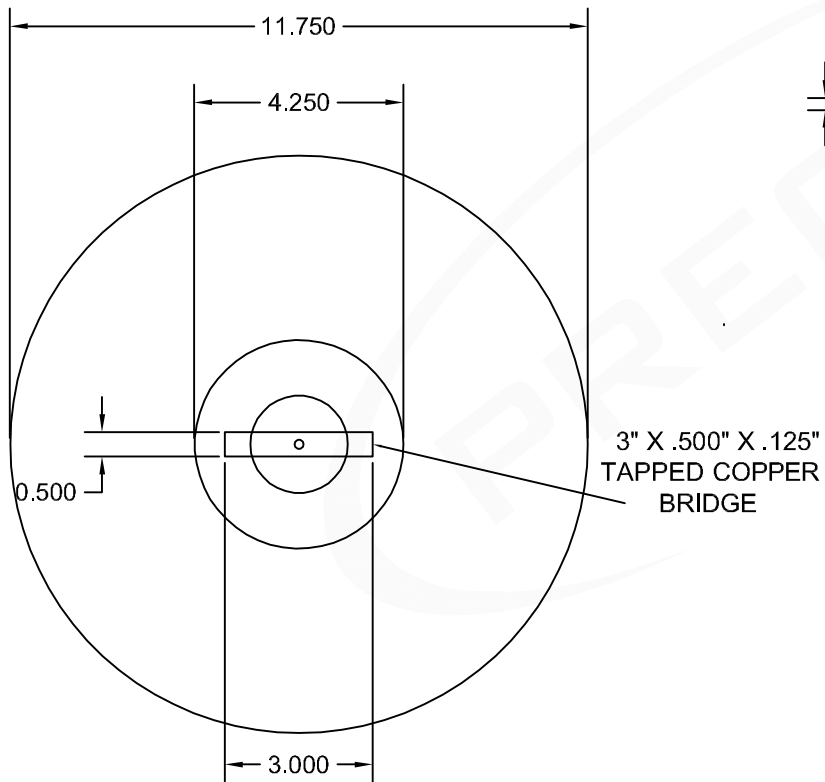


.125 ALUMINUM STRAINER  
PLAN VIEW

1 PIECE SPUN BOWL  
24 oz. COPPER  
ASTM B370-11



FRONT VIEW



PLAN VIEW

PIPE DIAMETER CHART	
DRAIN SIZE	PIPE DIAMETER
2"	1.75 O.D.
3"	2.75 O.D.
4"	3.75 O.D.



PART NAME:

# SPUN COPPER DECK DRAIN

DRAWN BY: D.B.

DATE: 04/05/21

SCALE: NTS

SHEET: